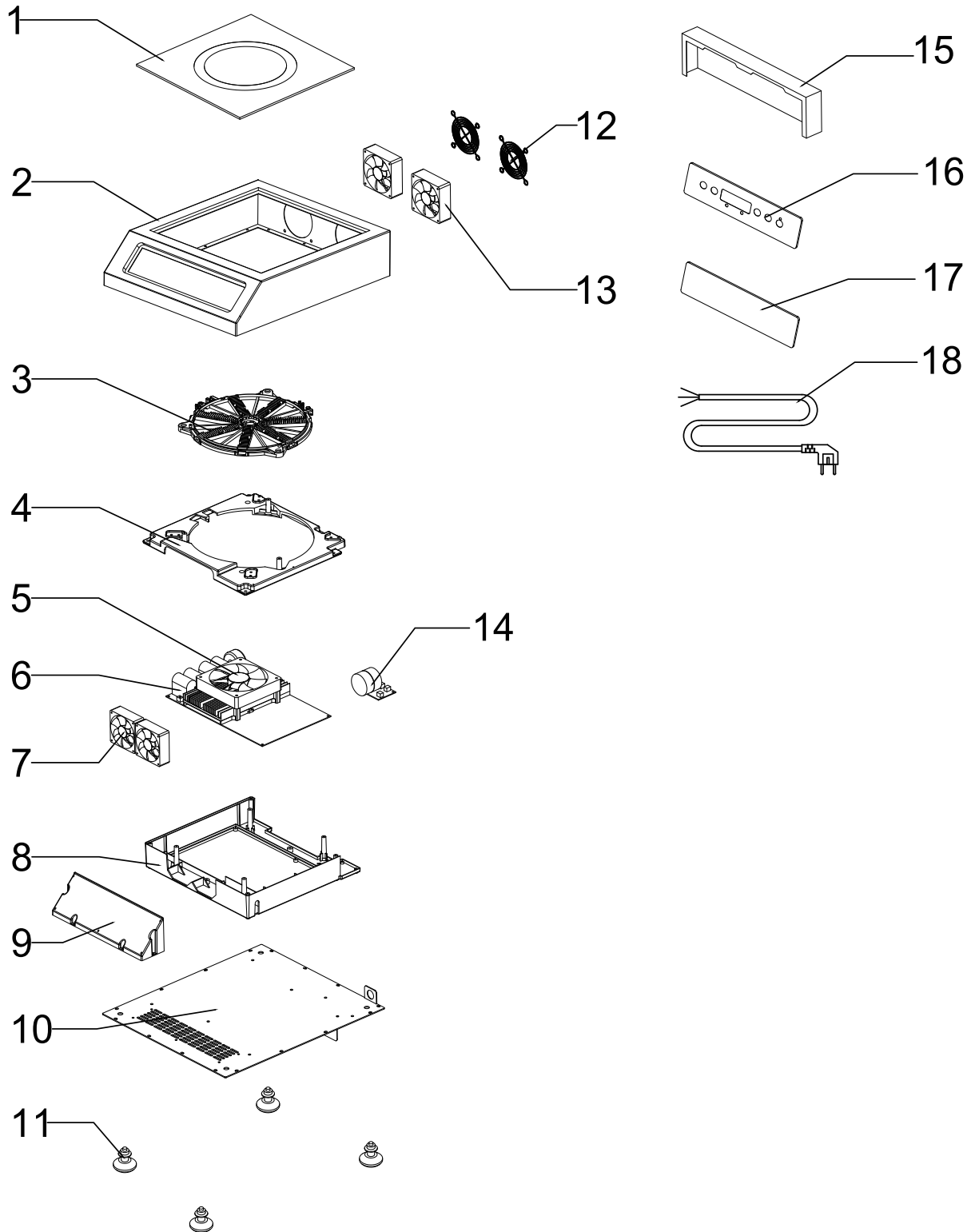


Parts Breakdown

Model CE-CN-0034-T 44744



Parts Breakdown

Model CE-CN-0034-T 44744

Item No.	Description	Position	Item No.	Description	Position	Item No.	Description	Position
AD113	350 x 350 x 4mm Flat Glass Plate for 44744	1	AD119	7025 Fans on Main Board Cover for 44744	7	AD125	8025 Back Fans for 44744	13
AD114	TP2 Stainless Steel Housing for 44744	2	AD120	Main Board Under Cover for 44744	8	AD126	Filter for 44744	14
AD115	3400W Flat Coil for 44744	3	AD121	Wind Proof Cover for 44744	9	AD127	KP2 Waterproof Slot for 44744	15
AD116	Upper Case for Main Board for 44744	4	AD122	TP2 Aluminum Base for 44744	10	AD128	PCB Control Board for 44744	16
AD117	12025 Fans on Heat Sink for 44744	5	AD123	4335 Alloy Feet for 44744	11	AD129	Glass Control Panel for 44744	17
AD118	Main PCB Board for 44744	6	AD124	80 Fan Net for 44744	12	AD130	3 x 2.0mm 14 Power Line for 44744	18